

GEO CLOUD



EZO
B O R D

A modern office lobby with a polished grey floor, a black leather sofa, and two turnstiles. The ceiling features two large circular lights, one green and one black. A staircase with a stainless steel railing is visible on the left. Large windows in the background offer a view of the outdoors.

**MEET
GEO CLOUD**



EzoBord Geo Clouds provide an elegant addition to any open area, and can be customized through the use of different geometric shapes and a wide array of standard colors.

A new generation surface material that both absorbs noise and is fully customizable.

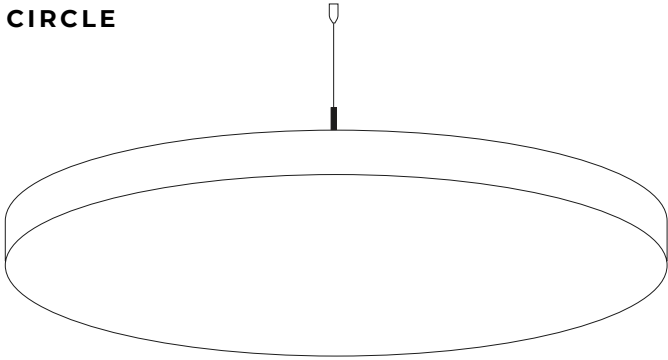
Stylish EzoBord Geo Clouds are a series of sound absorbing suspended panels that redefine open interior spaces.

Geo Clouds are available in a wide variety of colors, profiles and shapes with custom shapes and prints also available to fully customize to your installation. Geo Clouds are adjustable to various heights and angles and can be installed from deck, ceilings, drywall, standard T bar suspension systems or mounted to walls.

Made with recycled plastic water bottles.

GEO CLOUD

CIRCLE



LENGTH

30" (762mm)

41" (1041mm)

WIDTH

30" (762mm)

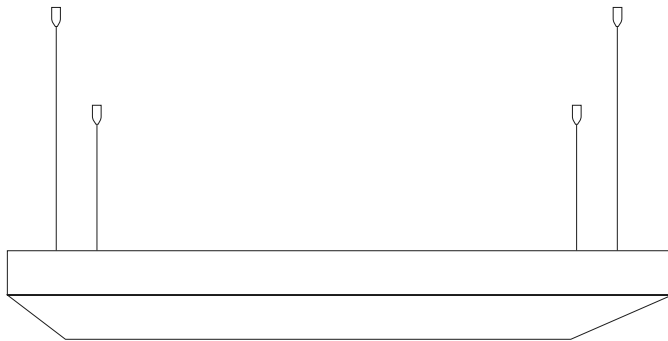
41" (1041mm)

HEIGHT

1" (25mm)

1" (25mm)

SQUARE



LENGTH

31" (787mm)

41" (1041mm)

WIDTH

31" (787mm)

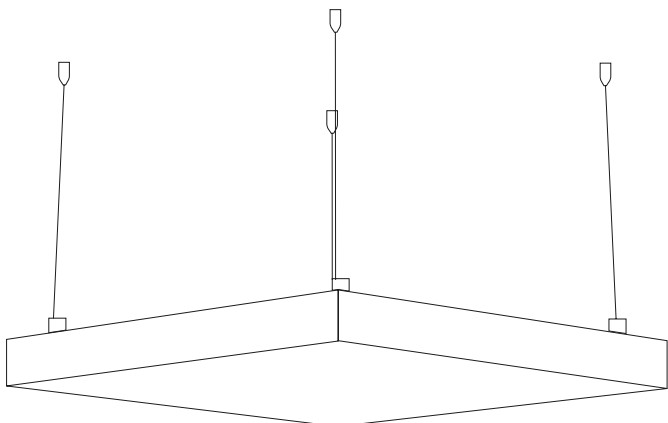
41" (1041mm)

HEIGHT

2" (51mm)

2" (51mm)

DIAMOND



LENGTH

13½" (343mm)

20½" (521mm)

WIDTH

31" (787mm)

41" (1041mm)

HEIGHT

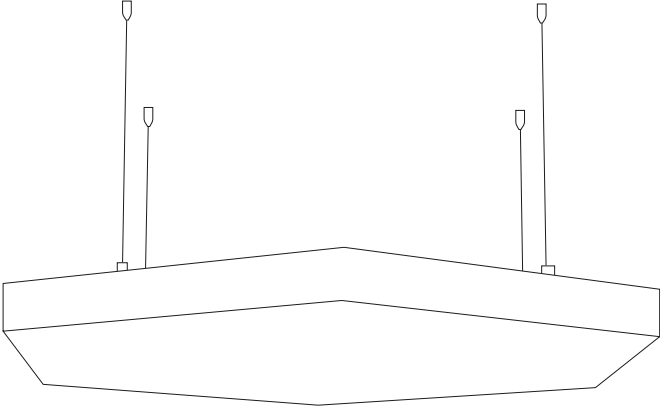
2" (51mm)

2" (51mm)

Please note that all dimensions are nominal, supplier reserves the right to adjust sizing without prior notification.

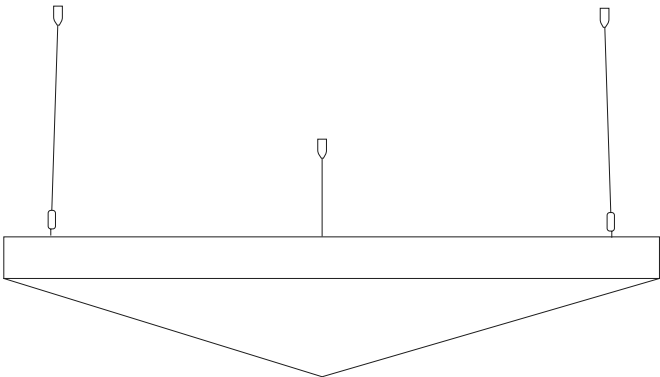
GEO CLOUD

HEXAGON



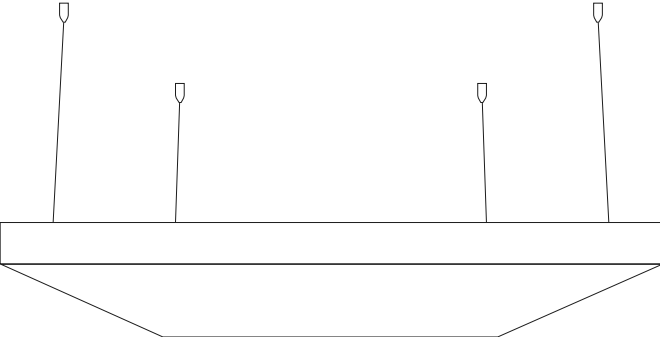
LENGTH	WIDTH	HEIGHT
27" (659mm)	31" (787mm)	2" (51mm)
36" (914mm)	41" (1041mm)	2" (51mm)

TRIANGLE



LENGTH	WIDTH	HEIGHT
26" (660mm)	31" (787mm)	2" (51mm)
35½" (902mm)	41" (1041mm)	2" (51mm)

TRAPEZOID

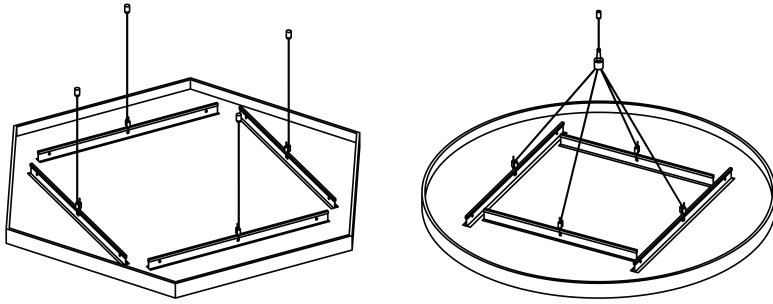


LENGTH	WIDTH	HEIGHT
12" (305mm)	31" (787mm)	2" (51mm)
15½" (394mm)	41" (1041mm)	2" (51mm)

Please note that all dimensions are nominal, supplier reserves the right to adjust sizing without prior notification.

SPECIFICATIONS

GEO CLOUD



SIZES

6 standard shapes available in 2 sizes.

31" (787mm) × 31" (787mm) maximum

41" (1041mm) × 41" (1041mm) maximum

HEIGHT 2" (51mm)

THICKNESS 3/8" (9mm) | ±0.5mm ;
1/2" (12mm) | ±0.5mm

Custom graphics and textures can be printed on clouds

COMPOSITION

100% PET (min. %50 recycled content)

PRODUCT VARIANCES

Variation in fiber mix and colour may occur. All products will be supplied within commercial tolerances.

CLEANING

Remove dust and dirt with a stiff plastic bristle brush. Distilled water can be used to remove stains. Always use a soft, clean cloth and blot dry. Vacuuming works great as well.

FIRE TESTING

NORTH AMERICA:

- ASTM E-84 Class A*
- CAN ULC S102-10

EUROPE AND UK:

- EN13501-1: 2007

* Upon request, 1/2"(12mm) sheet material is treated with USA origin post-production flame retardant to Class A surface burning characteristics. Post sheet production FR treatment does not contain any Red List Restricted Chemicals and complies with California Proposition 65. Contact customer service for technical information, test data and safety data sheets for flame retardant

ACOUSTICS

Refer to ASTM C423 test chart for specific absorption rates/frequency.

- 3/8" (9mm): NRC 0.75 (subject to mounting conditions and geometrical properties)
 - 1/2" (12mm): NRC 0.85 (subject to mounting conditions and geometrical properties)
- (subject to mounting conditions and geometrical properties)

ENVIRONMENT

Made of polyester fiber, min. 50% of which comes from recycled water bottles which contributes to LEED MR Credit and BREEAM Health and Wellbeing, Materials points due to recycled content, acoustic performance, and low emitting materials. No VOC's: CDPH v1.2 and REACH SVHC Compliant.

USGBC LEED V4 CREDITS

While individual products do not 'earn' LEED credits, EzoBord can contribute to the following LEED v4 Credits. Please refer to the USGBC LEED credit guides for detailed requirements.

- EQc9 for enhancing acoustic performance
- MRc3 BPDO for sourcing of raw materials for recycled contribution
- EQc6 interior lighting for surface reflectance (lighter color options).

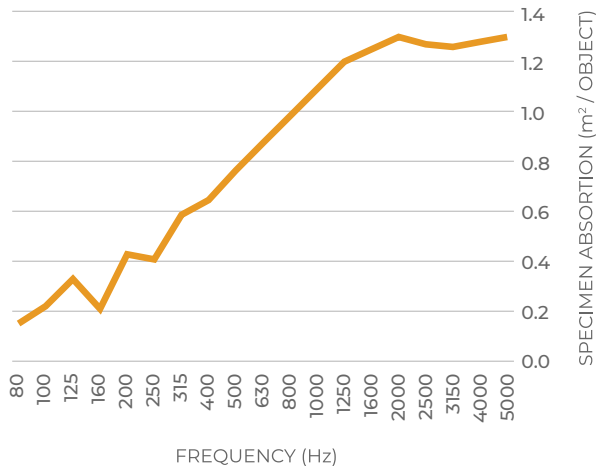
NOISE REDUCTION - 3/8" (9MM)

Constructed from
3/8" (9mm) EzoBord

Back Construction
Closedback

SOUND ABSORPTION COEFFICIENTS (ASTM C423-17)

NRC	SAA	125	250	500	1000	2000	4000
0.90	0.91	0.25	0.48	0.77	1.10	1.28	1.29



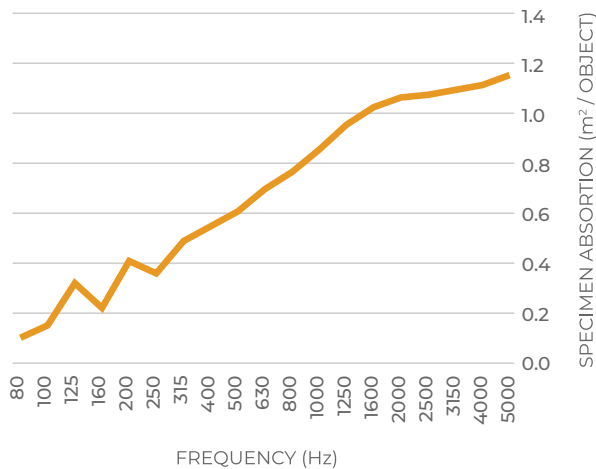
NOISE REDUCTION - 1/2" (12MM)

Constructed from
1/2" (12mm) EzoBord

Back Construction
Openback

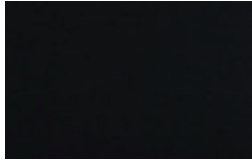
SOUND ABSORPTION COEFFICIENTS (ASTM C423-17)

NRC	SAA	125	250	500	1000	2000	4000
0.75	0.74	0.23	0.42	0.62	0.86	1.06	1.13



COLOR & FINISHES

COLORS 3/8" (9MM)



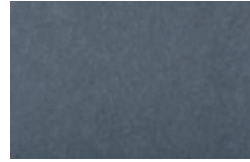
PURE BLACK
PB09



CHARCOAL GRAY
CG06



EBONY SLATE
ES07



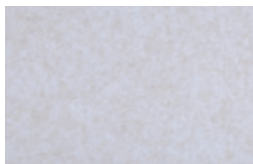
DARK GRAY
DG34



SILVER GRAY
SG04



CLASSIC WHITE
CW04



LIGHT BEIGE
LB01



DESERT SAND
DS10



SUNNY DAYS
SD18



TIGER ORANGE
TO24



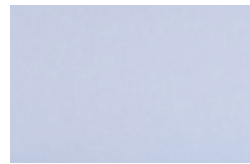
RUBY RED
RR28



DEEP PURPLE
DP30



MIDNIGHT NAVY
MN12



POLAR ICE
PI14



GREEN APPLE
GA41

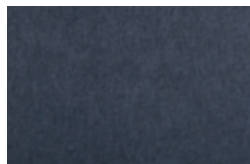
COLORS 1/2" (12MM)



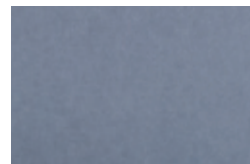
PURE BLACK
PB09



CHARCOAL GRAY
CG06



BOLD GRAY
BG07



ELEPHANT GRAY
EG11



SILVER GRAY
SG04



CLASSIC WHITE
CW04



DESERT SAND
DS10



TREE BARK
TB35



SUNNY DAYS
SD18



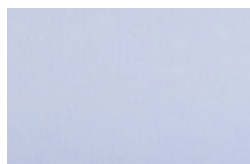
BRICK RED
BR34



GRAPE VINE
CV36



ROYAL BLUE
RB08



POLAR ICE
PI14



OCEAN BLUE
OB14



MOSS GREEN
MG10



ENVIRONMENT

Our Commitment to the Environment

There are approximately 50 billion water bottles consumed around the world each year, and only about half of those get recycled. The rest end up in landfills, littered through our neighborhoods, or floating in our oceans.

Bottled water consumption has more than doubled since 2000; in 2015 there was the equivalent of more than 5 bottles of water consumed for every person in the USA every single week. This, of course, means that the amount of oil required to produce the energy used for the water bottling process continues to grow.

In 2007, the last year global statistics of oil consumption were available, between 32 million and 54 million barrels of oil were used to produce the bottled water that was consumed in the USA alone. This energy is used to make the bottles from PET pellets (1 million tons in the USA), treat water, bottle the water, label the bottles, and transport the bottled water. Most of the energy consumption occurs in the creation of the bottles themselves. To help in the lifecycle of this plastic product, we have chosen to manufacture our material so that it recycles these PET bottles. We are doing our part to reduce the waste. This acoustical and tackable material is made from PET bottles in a zero-waste process with postindustrial recycling. An environmentally friendly, sustainable, and waste reduced alternative to traditional acoustical/tackable material that looks great in any office, education, or open space installation.

ezoBord is



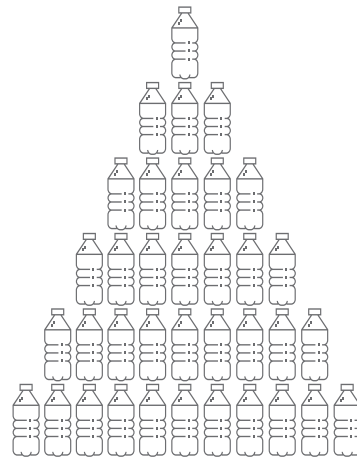
- low VOC
- formaldehyde free

DID YOU KNOW...



For every pound of recycled PET bottles (approximately 23) energy use is reduced by 84% and greenhouse gas emissions are reduced by 71%.

PET BOTTLES



± 166 pet bottles are used to make one $\frac{3}{8}$ " 9mm thick EzoBord sheet.

± 318 pet bottles are used to make one $\frac{1}{2}$ " 12mm thick EzoBord sheet.





CANADA

Ayrsonics Inc - Ontario

825 Trillium Drive
Kitchener, Ontario N2R 1J9
P: 1-844-441-1122
sales@ayrsonics.com

Ayrsonics Inc - Alberta

#9112 – 52nd St. S.E.
Calgary, Alberta T2C 5A9
P: 1-844-441-1122
sales@ayrsonics.com

UNITED STATES

Ayrsonics

Mid West LLC

170 Prairie Lake Rd
East Dundee, IL 60118
P: 1-800-517-0686
sales@mw.ayrsonics.com

New England

32 Hampshire Rd
Salem, NH 03079
P: 603-824-9338 ext. 3001
P: 603-327-4349
sales@ne.ayrsonics.com

Southwest

1700 1st Street
San Fernando, CA 91340
P: 213-833-9700
sales@sw.ayrsonics.com

EzoBord Head Office

6845 Rexwood Road,
Unit 7 Mississauga, ON L4V 1S5 Canada
FAX +1 416 665 3571
info@ezobord.com

FOLLOW US



ezobord.com